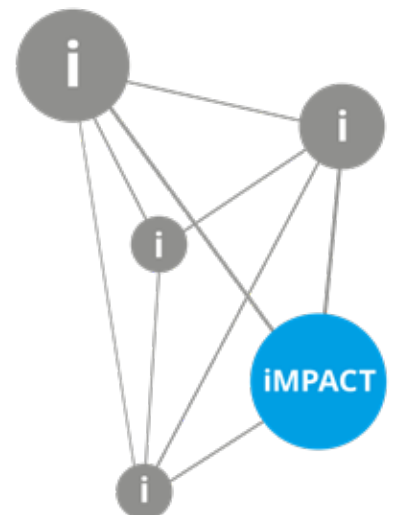


BANKNOTE NUMBERING

MAESTOSO

IMPACT MAESTOSO NUMBERING BOXES
FOR EVERYTHING YOU WANT TO NUMBER
SPECIFICALLY FOR BANKNOTES

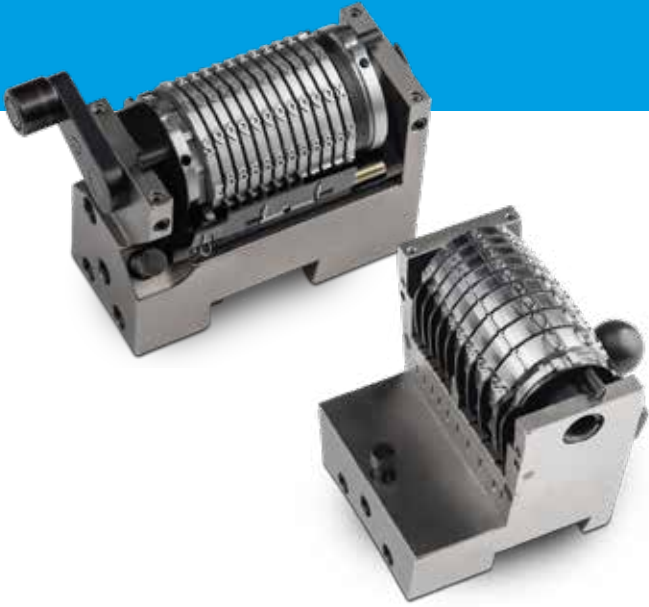
i5 EXPERTISE



K01/200K

SIMPLE. UNPRETENTIOUS. EXCELLENT.

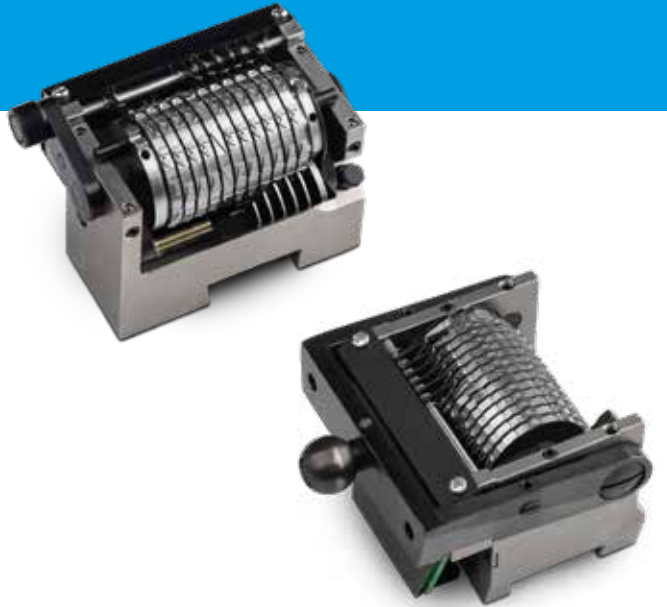
This is a purely mechanical numbering box, which makes it your cost-effective entry-level model for banknote numbering. Good and cost-effective, but also robust and durable. Just what you would expect of Zeiser. Just what you would expect of quality – Made in Germany. And also reliable, efficient and incredibly easy to maintain.



K01/K04

CONTROLLED. RELIABLE. ELECTRONIC.

Our K01/K04 numbering box is mainly mechanical, and is therefore extremely easy to maintain. The design is robust, efficient and durable – designed for demanding operations over the long term. There is no such thing as incorrect numbering, as our electronic numbering control (ENC) system reliably errors.



KX

EFFICIENT. FLEXIBLE. TOOL FREE.

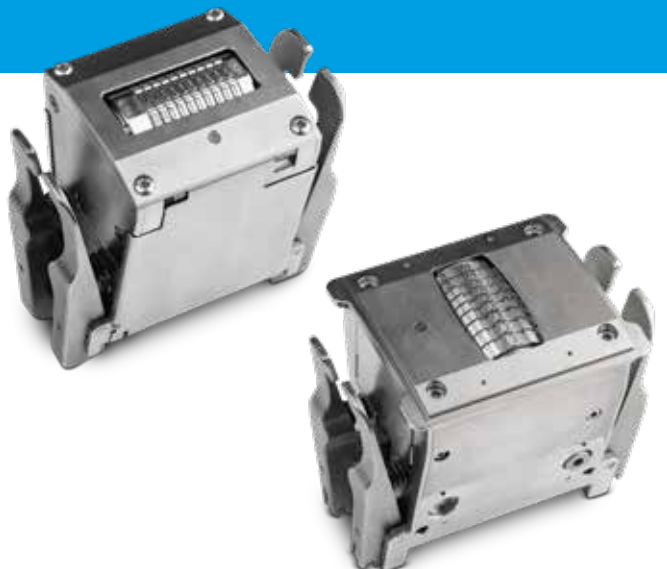
The future of sequential numbering –> KX!
Efficient, flexible and tool free! Different wheel-widths and other font sizes can be used, you simply exchange the individual wheels and the respective pawl. The investment costs are thus significantly reduced! The top body can be strapped onto the base body without tools in a very short time, thus reducing machine downtime for maintenance, cleaning or setting up the register.



NBX

TO THE MAX. EFFICIENT. FLEXIBLE.

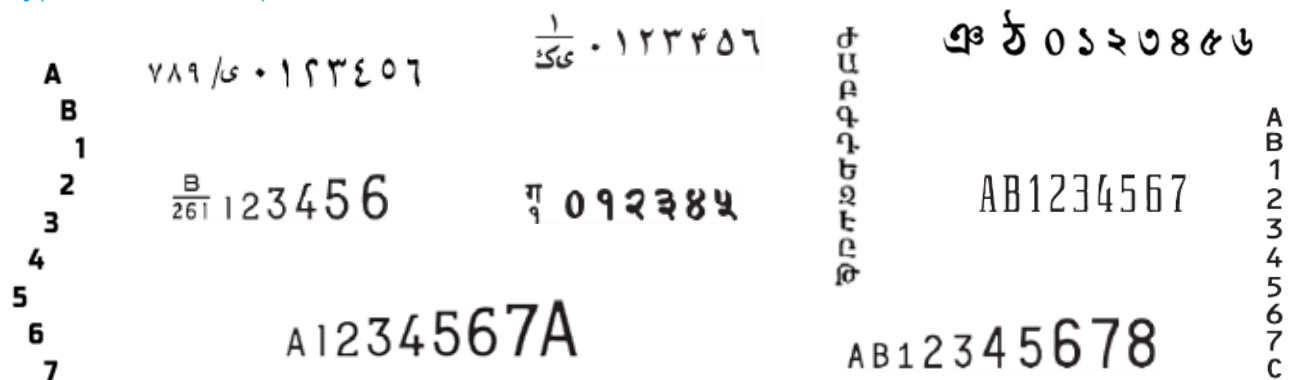
NBX stands for Numbering Box X-Change. For you, it means maximum flexibility, maximum efficiency and maximum machine utilization for finishing. Whether you want to use different wheel widths, different font sizes, or accept new orders, simply swap out the wheels, which also reduces your investment costs. All this makes NBX the ultimate choice for sequential and non-sequential banknote numbering.



MAESTOSO NUMBERING BOXES

At Zeiser, you can get numbering boxes specifically for banknotes – and for other applications such as passports, tax stamps, security labels, and other security documents such as deeds, certificates, and more. We have purely mechanical, easy-to-maintain numbering units as well as motor-driven units for maximum flexibility. Whether purely mechanical or with a highly complex, vertical or horizontal design, at Zeiser you get a high-quality solution ‘Made in Germany’.

Type Faces (Examples)



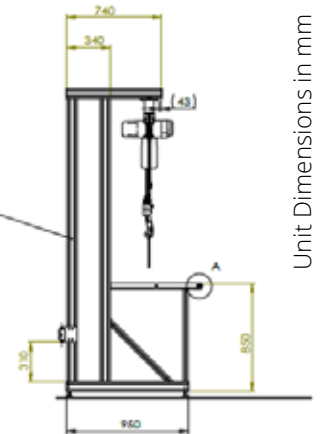
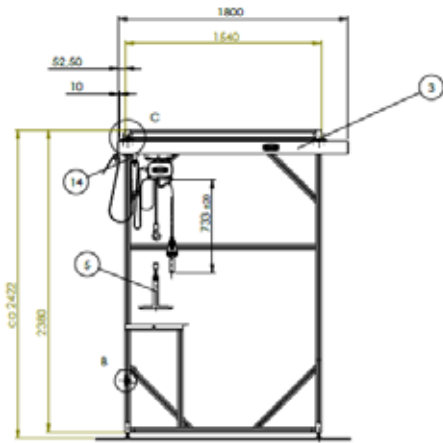
Comparison of the technical features

	K01 / 200K (pure mechanical)	K01 / K04	KX	NBX
Robust and durable construction for demanding use	✓	✓	✓	✓
Electronical Numbering Control (ENC)	✗	✓	✗	✗
Sequential (consecutive) numbering	✓	✓	✓	✓
Random (non-consecutive) numbering	✗	✗	✗	✓
Divided construction	✗	✗	✓	✗
Flexible centre distance	✗	✗	✓	✓

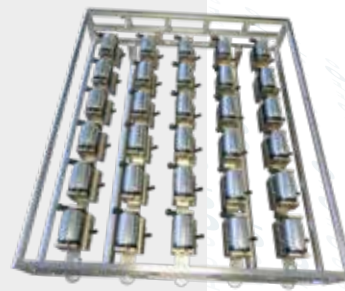
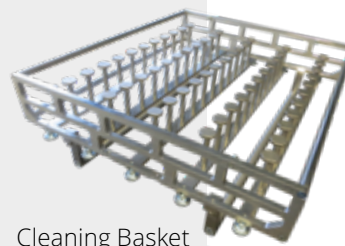
ULTRASONIC SINGLE WORKSTATION

RONDO USW

- For efficient and easy cleaning
- For industrial cleaning of numbering boxes and wheelsets
- Complete with lifting unit, baskets and rinsing station
- User friendly operation
- User defined cleaning programs
- Manuel setting of ultrasonic frequencies and intensity
- Heating control
- Sweep-, pulse-, and degas mode



Unit Dimensions in mm



ZEISER offers customized system configurations to meet your application requirements

- Production software (i.e. T&T): **HARMONY**
- Inkjet printers: **FLUENTE**
- Curing devices: **SERENO**
- Transport systems: **VIVO**
- Verification systems: **VERO**



ZEISER GmbH
Friedrich-Wöhler-Str. 11
78576 Emmingen-Liptingen
Phone +49 7465 9278-0
sales@zeiser.com
www.zeiser.com