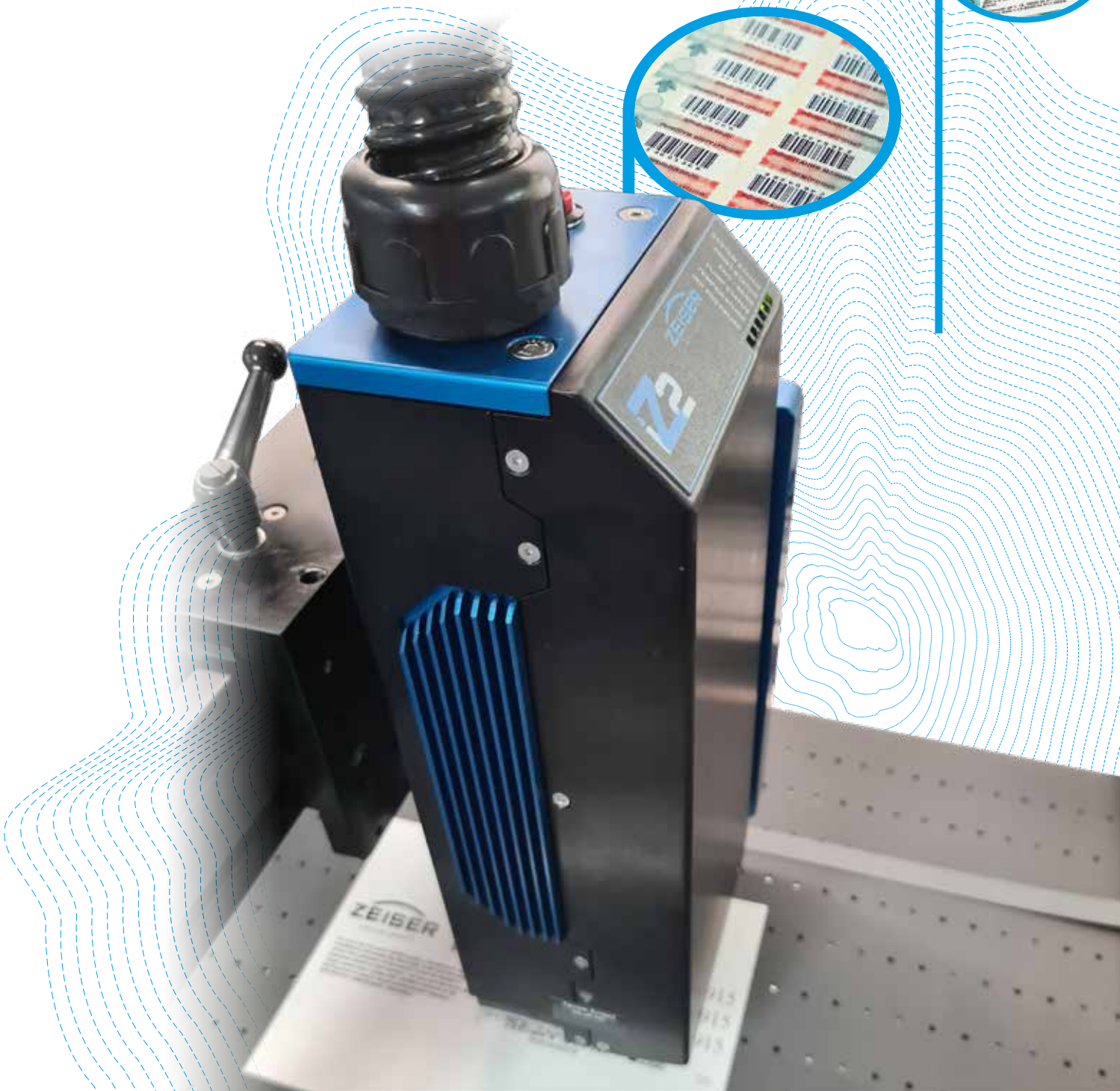


DOD UV INKJET SYSTEM

FLUENTE **iZ²**

- Versatile and cost-effective digital imaging solution
- Patented ink delivery
- Easy to maintain
- Plug-and-play nozzle exchange
- High speed/resolution ratio
- Limitless „daisy chain“ expandability



iZ2 Print Solution

The high resolution Fluente iZ2 inkjet system provides a versatile and cost-effective solution for variable data printing on a wide range of substrates. The iZ2 is suitable for all barcodes, 2D codes, numbering, personalization, and logos and graphics. The design is ideal for tax stamps, security bags, government documents and certificates, as well as for labels, stamps and lottery tickets etc. The modular system architecture offers simple expansion for a limitless array of synchronized data for all applications.

Key Features & Benefits

- Small footprint and turn-key design offer easy intergration and on multiple transports
- Simplified ink delivery system ensures reliable operation
- Variable DPI printing and multiple “drops per spot” options allow for customization ensuring best quality on various materials (up to 600 x 600 dpi)
- High speed capability – up to 274 m/min for maximized production speeds
- Rapid start-up for quick production readiness



Fluente iZ2 Print Head Details

The Fluente iZ2 uses a RICOH Gen5 piezo 2.13" (54 mm) print head. The printer supports up to 600 x 600 dpi printing with drop customization for best quality.



Compact Size

One of the important elements in the design of the Fluente iZ2 inkjet system was the smallest possible footprint. It was not only attention paid to a space-saving design for the print head but also for the ink supply with the integrated interface board. For the first time, trying to find space on your equipment for bulky ink handling systems and print heads is no longer a concern.

Almost any space available – the Fluente iZ2 will fit!

Premium Capability at Lowest Cost

Our customers are constantly striving to remain competitive and differentiate themselves. With an Fluente iZ2 printer you can be ahead of the market with this highly cost-effective printing solution. The initial cost of the Fluente iZ2 is lower than other solutions. Taking into account reduced maintenance, efficient use of inks and reliability, the Fluente iZ2 printer has the lowest total cost of ownership. However, this cost-effective printing solution does not mean a compromise in performance or quality. The Fluente iZ2 is a solid performer with very high throughput and incredible quality and durability of the print.

Groundbreaking Design

Simplicity is the key to the Fluente **iZ2** design. From the patented ink delivery system, integrated electronics, rugged housing and interface connections, the **iZ2** is a self-contained and cost-effective solution for high quality, high speed printing on almost any material.

The Fluente **iZ2** uses an innovative and simplified ink delivery system. This patented innovation eliminates the complex issues of pressure and meniscus control, and the related difficulties with ink flow, flooding, air sensors, and valves. There are none.

The new solution offers unparalleled reliability and ease of operation. Additionally, the system configuration greatly reduces the number of connections, tubes and failure points that are so common in other systems. When necessary, the nozzle cartridge can easily be changed on site without disassembling the ink delivery system and or any of the ink delivery connections. The system can be installed, prepared, and operational in the shortest time.

Ease of Use

With decades of experience in the numbering and serialisation markets, ZEISER remains the world leader in designing and delivering printing solutions that are simple to integrate and easy to operate. The Fluente **iZ2** offers rapid start up, and job changeover with higher speeds and substrate versatility than TII systems.

Printing System

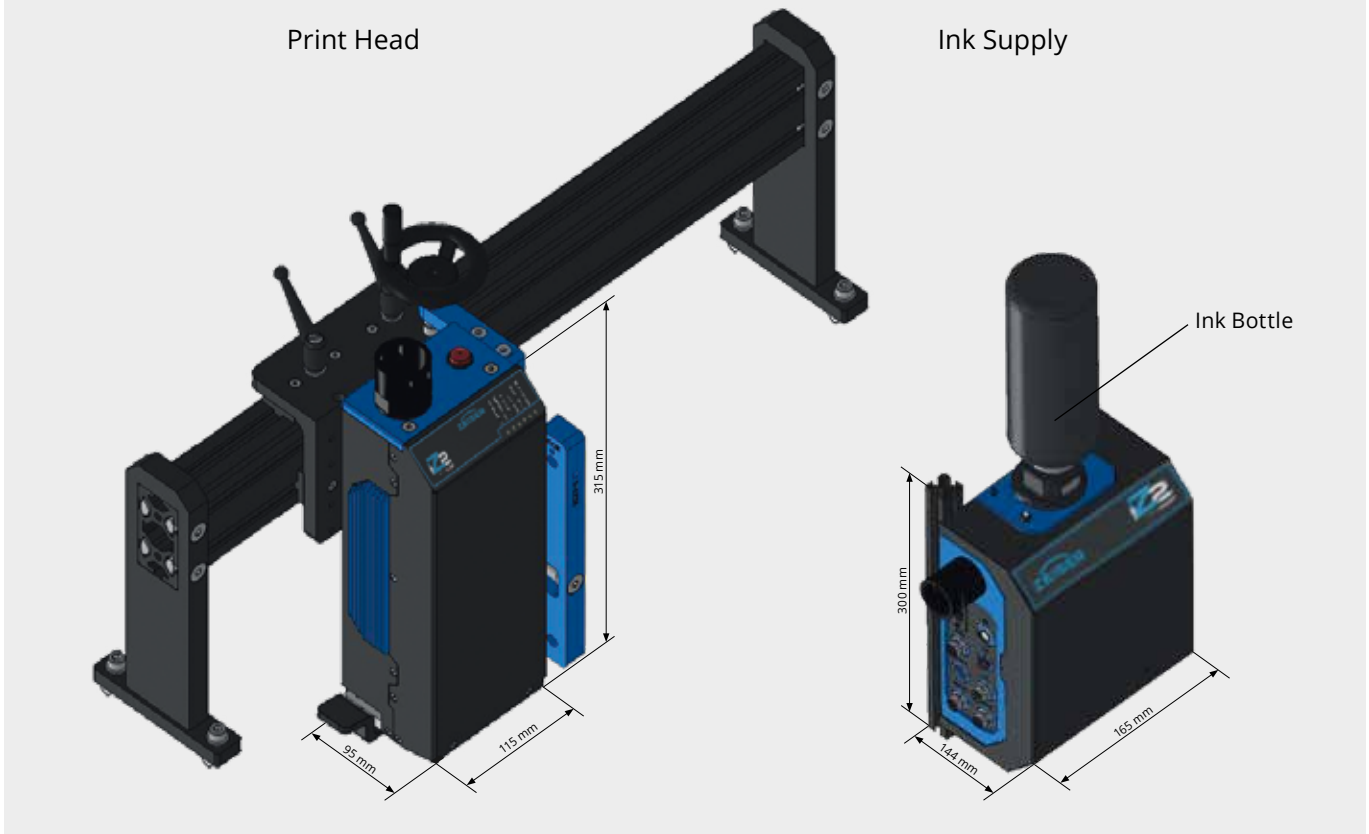
Patented ink delivery system connected through umbilical tube with **iZ2** print head (tube length approx. 1.6 meter | 6 feet).



Status Information & Connections



Dimensions



Technical Specifications

Description	Performance		Description	Performance *	
Print Width	54 mm	2.13 "	Print Speed 150 dpi	356 m/min	1200 f/min
Resolution	600 dpi		Print Speed 300 dpi	274 m/min	900 f/min
No. of Drops	1 to 3		Print Speed 600 dpi	137 m/min	450 f/min
Drop Level (1 2 3)	7 pl 14 pl 24 pl		Ink Types	UV	
Frequency Response	60 kHz		Jetting Technology	Piezo DoD	
Custom Colors	Yes		Communication	Ethernet	
Smallest readable font size	3 pt		Power Requirement	240/115 V AC	
Standard Delivery	Printer, adjustable integration bracket, ink supply system, production software, encoder, sensor				
Options	UV lamp dryer, UV LED dryer (water cooled with chiller/air cooled), pinning units				

*Speeds will vary with ink type and drop size.

Overview of ZEISER's high-resolution printer family for different printing ranges and substrate needs

- **FLUENTE iZ2** printing systems (UV inks): very fast printing speed with high resolution; extremely robust with easy to handle ink supply
- **FLUENTE Delta** printing systems (UV or water-based inks): wide printing range with high resolution and high speed
- **FLUENTE Omega** printing systems (UV inks): high printing quality with spot color; extremely versatile, robust and cost-efficient

ZEISER offers customized system configurations to meet your application requirements

- Production management software (i.e. T&T): **HARMONY**
- Inkjet printers: **FLUENTE**
- Curing devices: **SERENO**
- Transport systems: **VIVO**
- Verification systems: **VERO**

ZEISER GmbH

Bogenstrasse 6 – 8 · 78576 Emmingen-Liptingen · Phone +49 7465 9278-0 · sales@zeiser.com · www.zeiser.com

ZEISER
CREATING IDENTITY